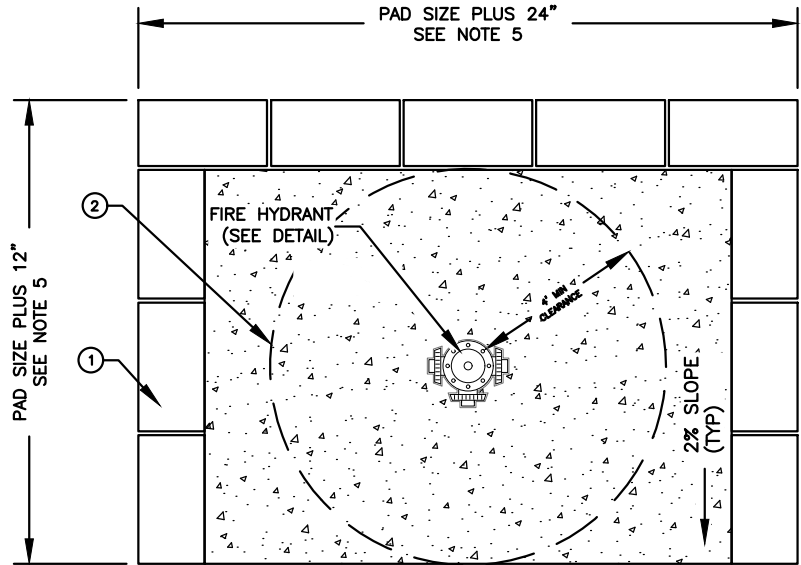


NOTES:

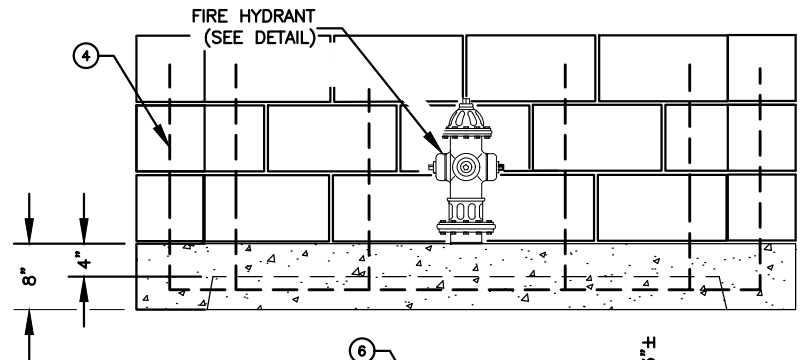
- ①. RETAINING WALLS FOR USE IN CONJUNCTION WITH THE INSTALLATION OF FIRE HYDRANTS SHALL BE INSTALLED WHERE SHOWN ON THE PLANS OR AS DIRECTED BY THE ENGINEER.
- ②. FIGURES SHOWN REPRESENT MINIMUMS ONLY. ALL RETAINING WALLS ABOVE 4' SHALL BE DESIGNED BY THE ENGINEER OF WORK AND PERMITTED BY THE AGENCY OF JURISDICTION.
- ③. VERTICAL BARS TO BE INSTALLED AT 16" ON CENTER. INSTALL MINIMUM 1-BAR IN THE CENTER OF THE FOOTING FOR WALL.
- ④. PAD SIZE TO MATCH SIZE OF PAD REQUIRED FOR FIRE HYDRANT TO BE INSTALLED.
- ⑤. GRAVITY WALL MAY BE INSTALLED ONLY WITH PRIOR APPROVAL OF SUBMITTAL FOR INSTALLATION.
- ⑥. AN EASEMENT MAY BE REQUIRED DEPENDING ON THE LOCATION OF THE WALL.



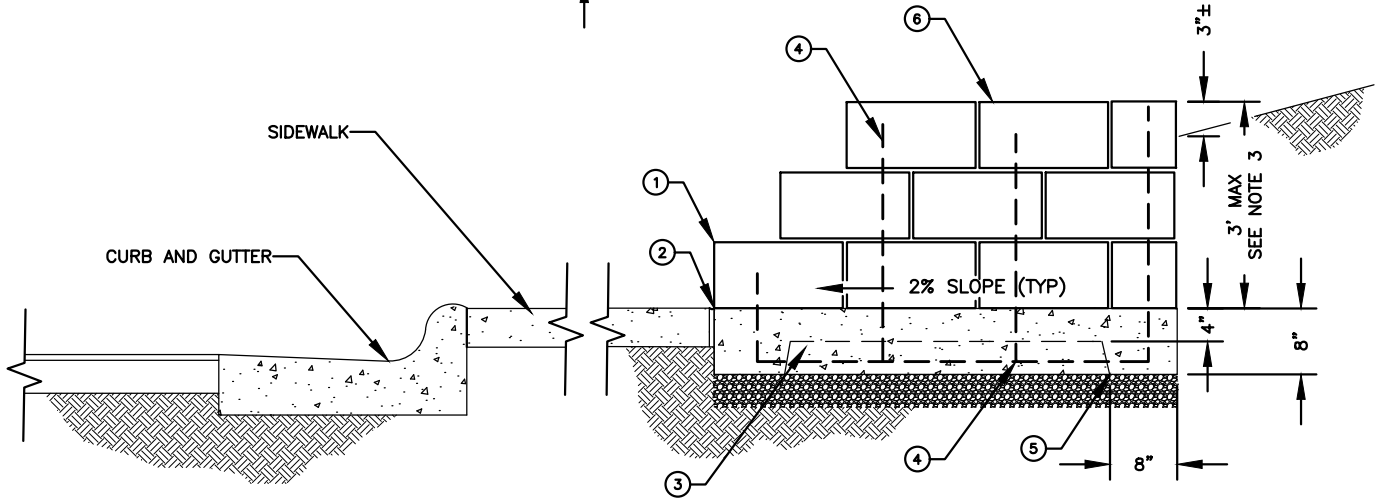
PLAN VIEW

ITEM NO. SIZE AND DESCRIPTION

- ① 200MM X 200MM X 400MM (8" X 8" X 16") CONCRETE OR SLUMP BLOCK (SOLID GROUT ALL CELLS), SEE NOTE 7
- ② COLD JOINT STRIP
- ③ CLASS B CONCRETE PAD OVER 6" CABC
- ④ #4 REBAR TYPICAL, SEE NOTE 3
- ⑤ 8" X 8" CONCRETE FOOTING,
- ⑥ CONCRETE CAP BLOCK,



SECTION VIEW



DATE: 01/12/2019

SCALE: NOT TO SCALE WD DWG. NO. 14

City of Hendersonville Engineering Department
 305 Williams Street
 Hendersonville, NC 28792
 (828) 697-3000 (office)

www.cityofhendersonville.org

FIRE HYDRANT SLOPE INSTALLATION
DETAIL

