

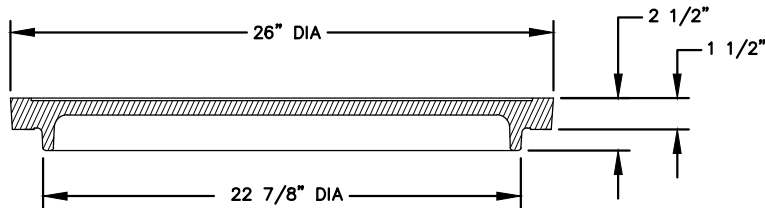
**TOP OF FRAME
AND COVER**

NOTE:

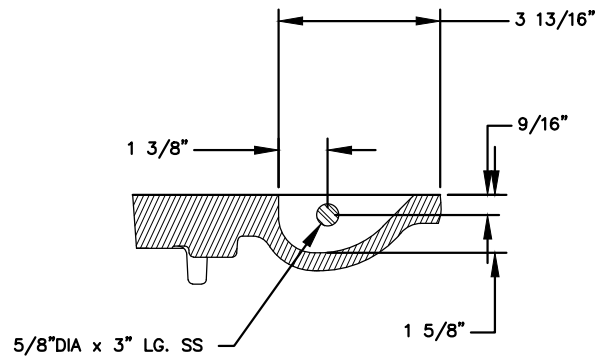
STANDARD MANHOLE COVERS ARE NOT TO BE USED WITHIN THE REGULATORY FLOODPLAIN.

MANHOLE FRAME SHALL BE ANCHORED TO THE CONE.

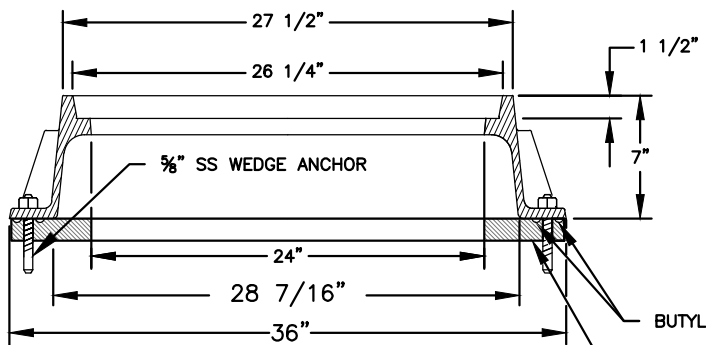
COVER SHALL BEAR THE WORDS: "SANITARY SEWER"



**MANHOLE COVER
SECTION A-A**



PICKBAR DETAIL



**FRAME
SECTION A-A**

APPROVED RUBBER RISER; 12" MAXIMUM; ONE FINISH RING MINIMUM; USE APPROVED SEALANT ON BOTH SIDES OF ALL RINGS TO ACHIEVE WATER TIGHT CONDITION.

DATE: 01/26/2024 SS-D DWG. NO. 11

SCALE: NOT TO SCALE

City of Hendersonville Engineering Department
305 Williams Street
Hendersonville, NC 28792
(828) 697-3000 (office)

www.cityofhendersonville.org

**STANDARD MANHOLE
FRAME AND COVER**

